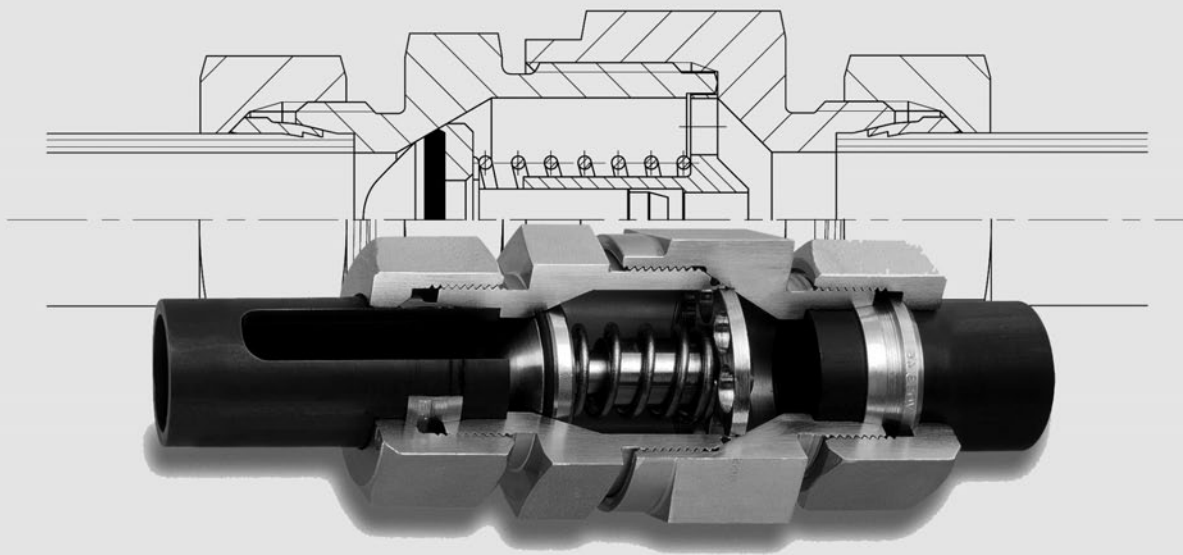


Hydraulikventile

Hydraulic Valves



Erfahrung plus Ideen  
Experience plus ideas

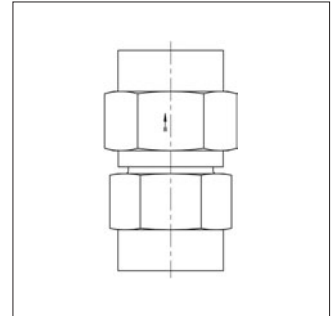


### Rückschlagventile

### Non-return valves

Innengewinde, beidseitig:  
Whitworth-Rohrgewinde,  
zylindrisch  
Öffnungsdruck 1 bar

Female thread on both ends:  
withworth pipe thread,  
straight  
Opening pressure 1 bar



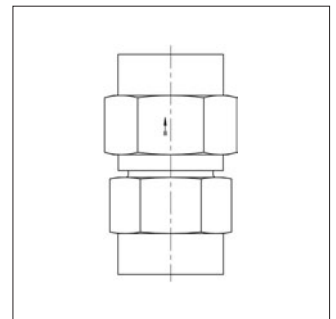
Typ Type	(MG 1) Bestell-Nr. Order No.	€/100 <sup>1)</sup> €/100 <sup>1)</sup>
L 6 - G 1 / 8	0670252000*	3.375,54
L 6 - G 1 / 4	0670262000	3.283,15
L 10 - G 3 / 8	0670272000	4.912,92
L 15 - G 1 / 2	0670282000	5.985,10
L 18 - G 3 / 4	0670292000	8.089,70
L 22 - G 1	0670302000	10.614,38
L 28 - G 1 1 / 4	0670312000	19.019,94
L 35 - G 1 1 / 2	0670322000	23.702,95

### Rückschlagventile

### Non-return valves

Innengewinde, beidseitig:  
UN/UNF ISO 11926-1  
SAE J 514  
Öffnungsdruck 1 bar

Female thread on both ends:  
UN/UNF ISO 11926-1  
SAE J 514  
Opening pressure 1 bar



Typ Type	(MG 1) Bestell-Nr. Order No.	€/100 <sup>1)</sup> €/100 <sup>1)</sup>
S 6- 7/16 -20 UNF-2B	0670352000	3.243,41
S 8- 1/ 2 -20 UNF-2B	0670362000	3.303,57
S 10- 9/16 -18 UNF-2B	0670372000	3.969,65
S 12- 3/ 4 -16 UNF-2B	0670382000	4.109,32
S 16- 7/ 8 -14 UNF-2B	0670392000	5.788,49
S 20- 1 1/16 -12 UN -2B	0670402000	8.463,57
S 25- 1 5/16 -12 UN -2B	0670412000	9.756,00
S 30- 1 5/ 8 -12 UN -2B	0670422000	14.108,10
S 38- 1 7/ 8 -12 UN -2B	0670442000	17.726,45

\* Beispiel Bez. Vergl.:  
RHD11/8

<sup>1)</sup> € / 100 Stück, Stahl

\* Sample product code:  
RHD11/8

<sup>1)</sup> € / 100 Pieces, steel